

DPSS Lasers

DLM-405 VIOLET BLUE LASERS: 405 nm, 50~300 mW



- TEC cooled
- Longlife operation
- Analog/TTL modulation
- Collimated straight beam
- High efficiency
- High reliability

- ### APPLICATIONS
- Laser show
 - Display
 - Laser Alignment
 - Scanning Biochemistry
 - Material Inspection LIDAR

RELATED PRODUCTS

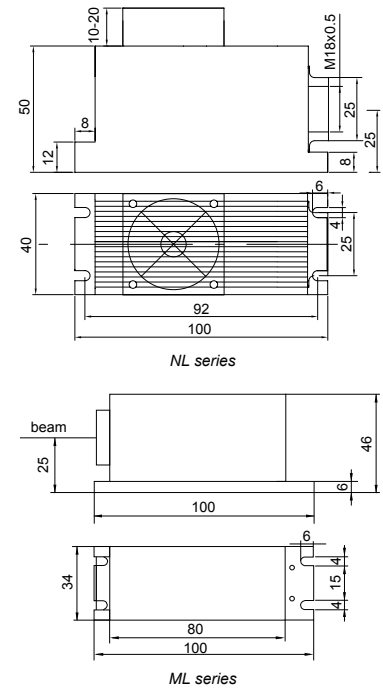
Laser Safety Eyewear
See page 1.16.

SPECIFICATIONS

Wavelength	405 nm
Spatial Mode	Near TEM ₀₀
Output Power	50, ..., 300 mW
Operation Mode	CW or Modulation
Modulation	0~30 kHz Analog or TTL
Beam Size	5 mm
Beam Divergence (full angle)	0.5 mrad
Power Stability	<3% per 4 hrs
Temperature Stabilizing	TEC
Warm Up Time	<1 minute
Expected Lifetime	10 000 hrs
Laser Head Dimensions	ML series: 34(W) × 100(L) × 45(H) mm NL series: 40(W) × 100(L) × 50(H) mm (optional fan adds 15 mm height)
POWER SUPPLY	
OEM type EO-PS-I	58(W) × 100(L) × 32(H) mm AC/DC PSU: 85~265 V 50/60 Hz input
Lab type EO-PS-IIS	104(W) × 128(L) × 89(H) mm 85~265V 50/60 Hz input
Lab Adjustable type EO-PS-II	179(W) × 148(L) × 56(H) mm 85~265 V 50/60 Hz input

ORDERING INFORMATION

Catalogue number	Description
DLM-405-ML50	ML Series. 50 mW
DLM-405-NL50	NL Series. 50 mW
DLM-405-ML100	ML Series. 100 mW
DLM-405-NL100	NL Series. 100 mW
DLM-405-ML150	ML Series. 150 mW
DLM-405-NL150	NL Series. 150 mW
DLM-405-ML200	ML Series. 200 mW
DLM-405-NL200	NL Series. 200 mW
DLM-405-ML250	ML Series. 250 mW
DLM-405-NL250	NL Series. 250 mW
EO-PS-I	OEM Type power supply
EO-PS-IIS	Lab type power supply
EO-PS-II	Lab adjustable type power supply



POWER SUPPLIES

- OEM power supply **EO-PS-I**

- Lab type power supply **EO-PS-IIS**

- Lab adjustable type power supply **EO-PS-II**